

Name: _____ Subject: _____

Class: **One** Roll No: _____ Section: _____ Sign: _____

CHT-1

Topic: **Number in word and Shape**

1. Find the correct spelling and give a tick on its number

(a, b or c):

5 × 1 = 5

1) 83 =?

a) Eighty-two, b) Eighty-three, c) Seventy-three

2) 78 =?

a) Ninety-four, b) Eighty-eight, c) Seventy-eight

3) 99 =?

a) Ninety-nine, b) Seventy-nine, c) Eighty-eight

4) 85 =?

a) Ninety-three, b) Seventy-five, c) Eighty-five

5) 100 =?

a) Eighty, b) Hundred, c) Ninety



2. Find the correct spellings from the box and write it down beside the numbers:

$$7 \times 1 = 7$$

উনআশি, পঁচাত্তর, তিরাশি, সাতাত্তর, আটাশি, একশত,
পঁচানব্বই।

সংখ্যা	কথায়
৯৫	
৭৭	
৮৩	
৭৯	
১০০	
৮৮	
৭৫	

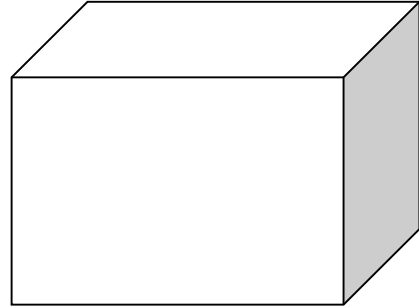


3. Draw a straight line to match the correct shapes with the alike pictures.

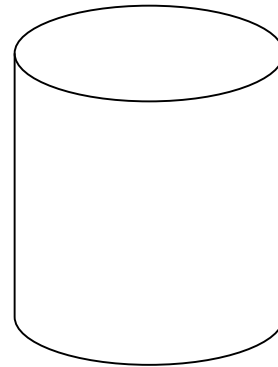
$$4 \times 1 = 4$$



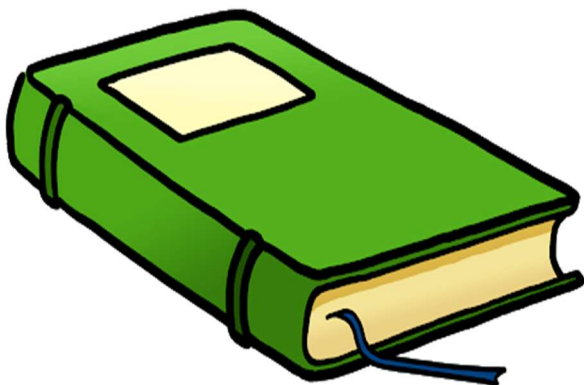
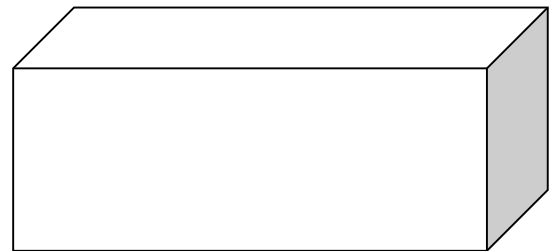
cube



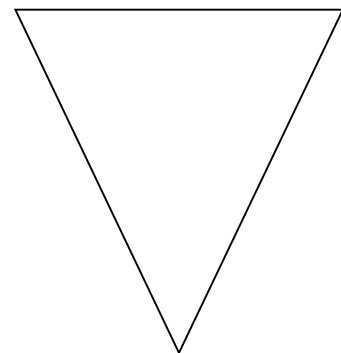
Cylinder



Cuboid

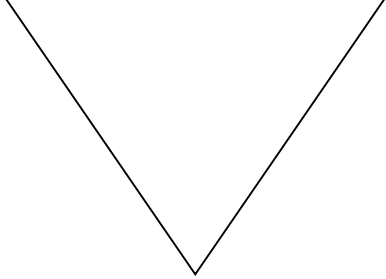
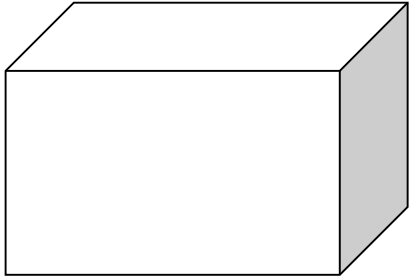
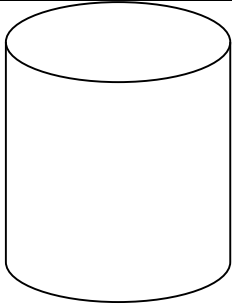
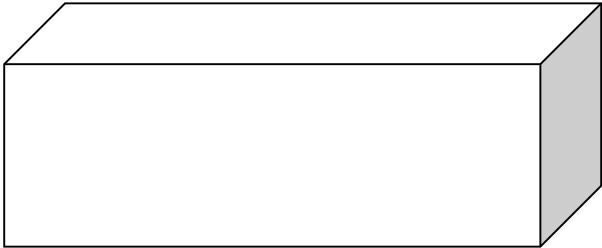


Cone



4. Write down the following shapes name in the blank boxes beside the pictures.

4 × 1 = 4

Prepared by: **ibnat Zuva**

Teacher's mail address: **zuva.ibnat@yahoo.com**